



presents

# Dhaara Smart



**SMART  
WATER  
MONITORING**

Patented Technology (IP 358066)

## About Dhaara Smart

Dhaara Smart is a new-age water meter that combines the power of IoT with the latest sensor technologies. The integrated telemetry and battery powered capabilities make it easy to manage your water consumption from anywhere and at anytime. The meter is ISO 4064 certified and complies with the guidelines of Central Ground Water Authority (CGWA)

## Business use-cases of Dhaara Smart



Ground Water  
Metering



Water Auditing for  
Businesses



Smart Water  
Utilities






Smart  
Irrigation

## Key Features

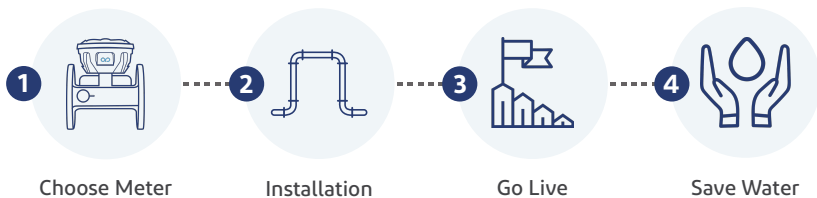


## Why Dhaara?

Description	 Manual Meter	 Digital Meter	 Dhaara Smart
Inbuilt telemetry	No	No	Yes
Accuracy	±5	±2	±2
Tamper proof	No	No	Yes
Maintenance	Very high	High	Low
Installation	Complicated	Complicated	Easy
Online logbook	No	No	Yes

## Our Solution

At Kritsnam, we are collaborating with businesses that are ready to adopt scientific water management practices to achieve sustainability



Data-driven digital water resources management

Whatever the size, we got you covered!

[www.kritsnam.com](http://www.kritsnam.com)



---

## Diameters

Model	DN25	DN40	DN50	DN65	DN80	DN100	DN125	DN150	DN200
Inches	1"	1.5"	2"	2.5"	3"	4"	5"	6"	8"
Min flow rate (m <sup>3</sup> /hr) (Q1)	0.1575	0.400	0.625	1	1.575	2.5	4	6.25	10
Max flow rate (m <sup>3</sup> /hr) (Q2)	6.3	16	25	40	63	100	160	250	400

## Technology

Metering	Ultrasonic Transit Time
Communication	Cellular: GPRS / 4G

## Certification

Meterology	ISO 4064:2014 Performance Certificate
Ingress Protection	IP68

## Display

Display Type	LCD
Display Size	60 x 40 (35) mm

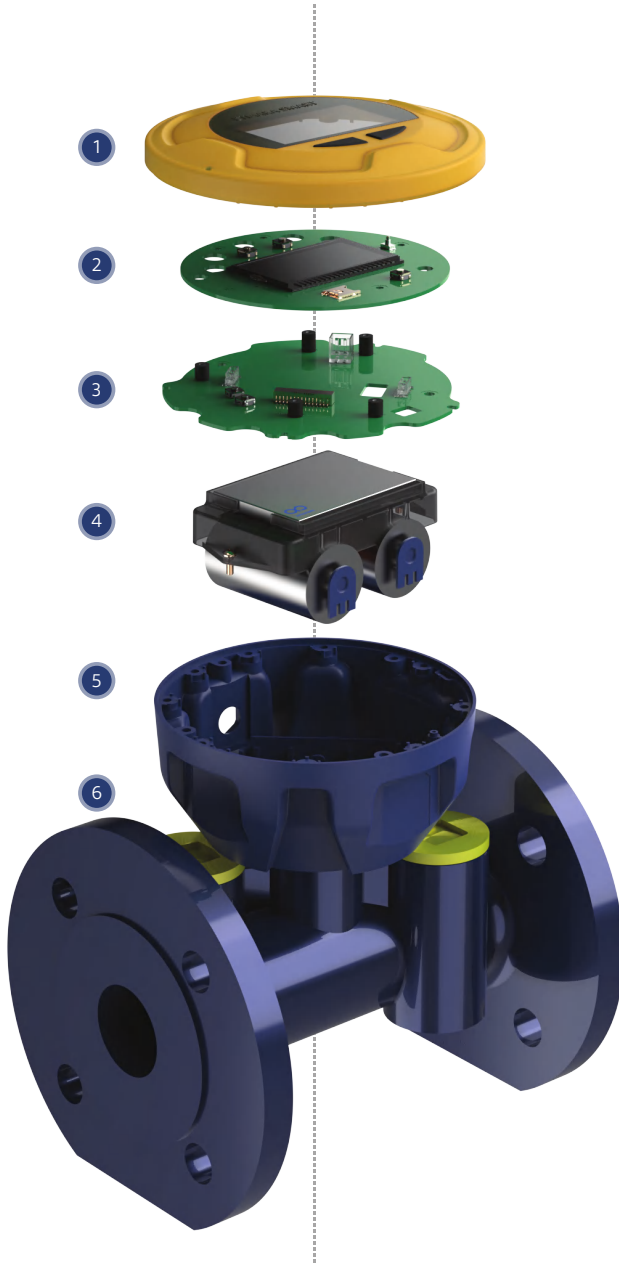
## Power Supply

Source	Li - SOCl <sub>2</sub> primary battery
Voltage	3.6 V
Capacity	38Ah
Life	3 years*

\*3 years of battery life when data transmitted every 12hrs

## Material of construction

Casing (Flow tube)	Cast Iron
Enclosure	ABS



# Product Information

## 1. IP68 enclosure

All weather protection for deployments in diverse environmental conditions

## 2. Display Information

LCD Display of 60 X 40 (35) mm with black on grey illumination enhanced by direct sunlight.

## 3. Patented IoT

Low power, multi-intelligence, multi-protocol communication system - Patent granted

## 4. Long battery life

Long durable batteries for continuous data collection over the years.

## 5. Tamper proof design.

Suitable for governance purposes. Tamper alarms notify you the instructions.

## 6. Ultrasonic metrologic sensing

State-of-the-art flow sensing with auto event detection and auto signal calibrations.

# About Dhaara Live

Dhaara Live is a digital application that allows you to view, track, and analyze your water usage. Business users can visualise data and make informed operational decisions that contribute to the enterprise's water goals.

Be vigilant of your  
daily, monthly and yearly  
water consumption



**Customised reports**  
download & analyze



**Timely alerts**  
over-usage & leaks



**Remote tracking**  
water monitoring



**Kritsnam Technologies Pvt. Ltd.**  
Plot No 347, Rd Number 22, Jubilee Hills  
Hyderabad, Telangana, India 500033

**Reach us at**  
+91 97036 40123  
business@kritsnam.com

